

Disconnect Switches

Technical Data, Dimensions

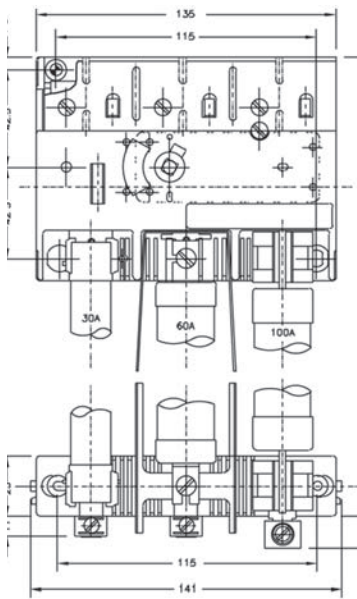
Disconnect switches				P2-30 P2-30/F-...	P2-60 P2-60/F-...	P2-100 P2-100/F-...
General						
Standards				UL recognized		
Dimensions				see below		
Wire size to be connected per phase	min.	AWG	14	10	10	
	max.	AWG	6	1/0	1/0	
Main contacts						
Rated voltage		V AC	600	600	600	
Rated continuous current		A	30	60	100	
Short-circuit current rating	non-fusible switch	kA R.M.S. Sym.	10	10	10	
	with class J, R fuses	kA R.M.S. Sym.	100	100	100	
Max. AC motor HP rating, 3-phase at	200 V	HP	7½	15	30	
	230 V	HP	10	20	40	
	460 V	HP	20	40	60	
	575 V	HP	25	50	75	
Auxiliary contacts						
Rated voltage		V	600			
Continuous current		A	10			
Pilot duty rating			Heavy Duty, A 600 / P 600			

Dimensions (all dimensions in millimeters)

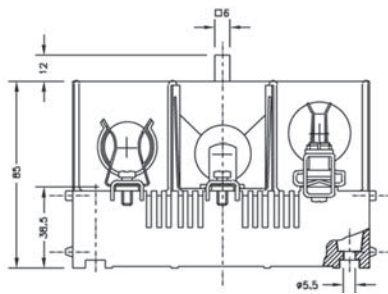
Fusible disconnect switches

P2-30(60)/F-...-CNA

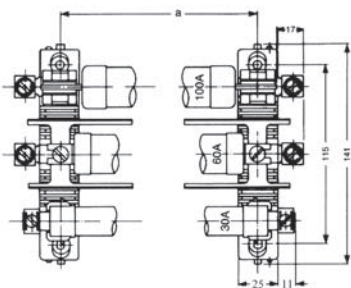
P2-100/F-...-CNA



Fuse Class	V		A		Dimensions in mm	
	250	600	30	60	C1	C2
H and (R)K	250	600	30	60	122	153
			60	100	144	181
			100		208	245
J	600	600	30	60	198	229
			60	100	208	245
			100		259	296
J	600	600	30	60	128	159
			60	100	130	167
			100		176	213



Fuse blocks



Fuse Block Type	Fuse Rating		Dimensions / Fuse class		
	A	V	H	J	R
F30-C13-CNA	30	250	1 ½" (38mm)		
F30-C38-CNA	30	600	4 ½" (114mm)		
F30-C23-CNA	30	250		1 ¾" (45mm)	
F30-C33-CNA	30	600			1 ½" (38mm)
F30-C36-CNA	30	600			4 ½" (114mm)
F60/100-C16-CNA	60	250	2 ¾" (60mm)		
F60/100-C26-CNA	60	600	4 7/8" (124mm)		
F60/100-C43-CNA	60	250		1 ¾" (45mm)	
F60/100-C46-CNA	60	600			2 ¾" (60mm)
					4 7/8" (124mm)
F60/100-C110-CNA	100	250	4 7/8" (124mm)		
F60/100-C110-CNA	100	600	6 7/8" (175mm)		
F60/100-C310-CNA	100	250		3 5/8" (92mm)	
F60/100-C310-CNA	100	600			4 7/8" (124mm)
					6 7/8" (175mm)