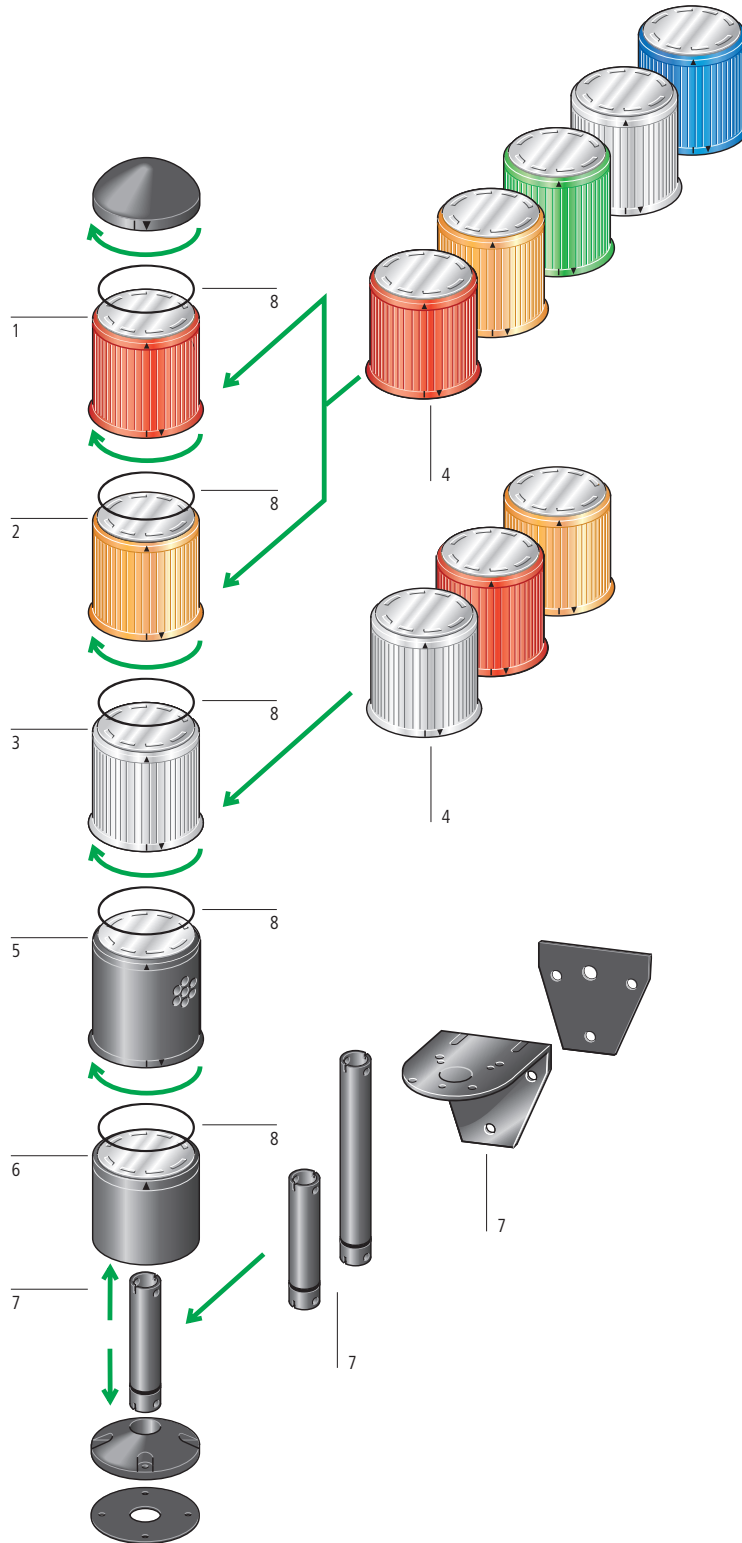


# Stack Lights System Overview



## Stack Lights System Overview

<b>Continuous light</b>	1
Easy to assemble with bayonet fitting	
Modules can be stacked as required	
Degree of protection IP54, UL type 12	
Can be stacked up to 5 modules high, each freely programmable	
Operating mode 100% DF	
Filament bulb or LEDs (ordered separately)	

→ Page 05/070

<b>Flashing light</b>	2
Easy to assemble with bayonet fitting	
Modules can be stacked as required	
Degree of protection IP54, UL type 12	
Can be stacked up to 5 modules high, each freely programmable	
Operating mode 100% DF	
Filament bulb or LEDs (ordered separately)	
Flash rate: approx. 1 Hz	

→ Page 05/070

<b>Strobe light</b>	3
Easy to assemble with bayonet fitting	
Arrangement of modules as required	
Degree of protection IP54, UL type 12	
Can be stacked up to 5 modules high, each freely programmable	
Operating mode 100% DF	
Strobe rate: approx. 1 Hz	
Radiant intensity: 1 WS	

→ Page 05/071

<b>Lenses</b>	4
Colors: red, yellow, green, white, blue	
Fresnel grooves ensure even light distribution from all angles	

<b>Acoustic indicator</b>	5
Easy to assemble with bayonet fitting	
Modules can be stacked as required	
Degree of protection IP20	
Operating mode 100% DF	
Continuous or pulsed tone	
Volume: approx. 90 dB at 60 cm	
Frequency: 2750 Hz	

→ Page 05/070

<b>Basic module</b>	6
Easy to assemble with bayonet fitting	
Degree of protection IP54, UL type 12	
Mounting options: surface, 90° wall, and tubular column	
Terminal connection options: screw terminal, cage clamp, AS-i	
Includes top cover and surface mounting gasket	

→ Page 05/070

<b>Accessories</b>	7
Spacer tube available in four lengths	
Base	
90° wall mounting	
4 hole mounting	

→ Page 05/071

<b>Gasket kit</b>	8
SL-IP65	

→ Page 05/071